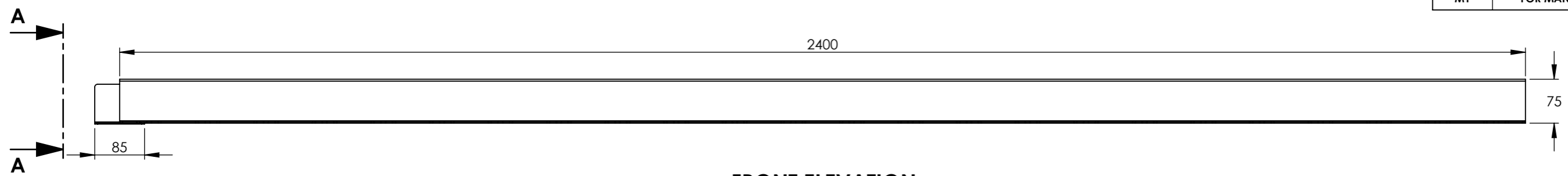
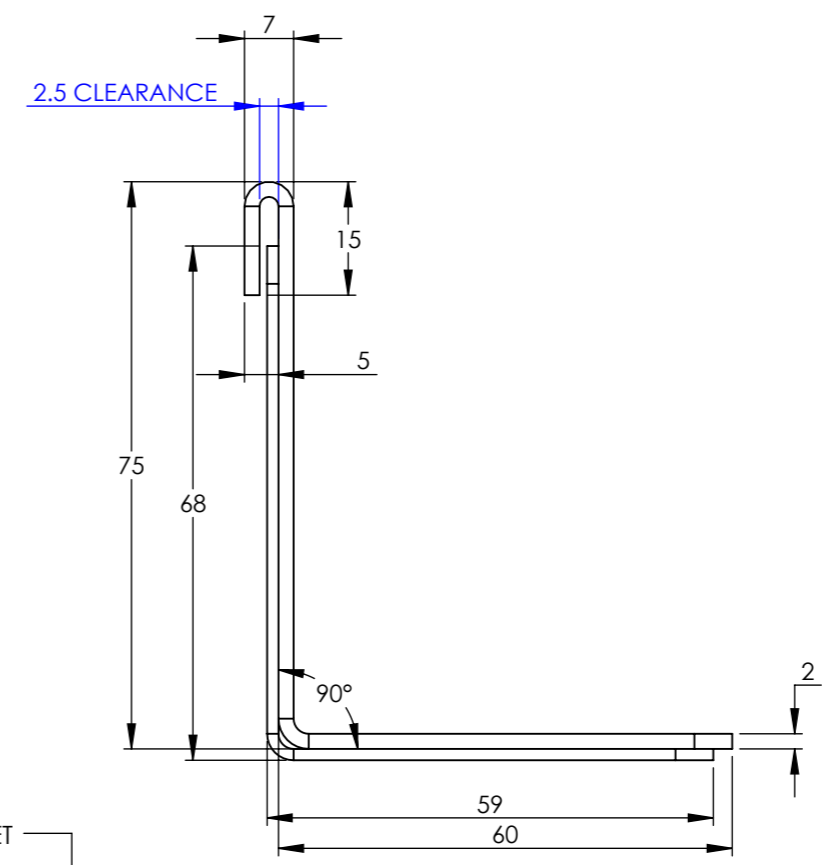


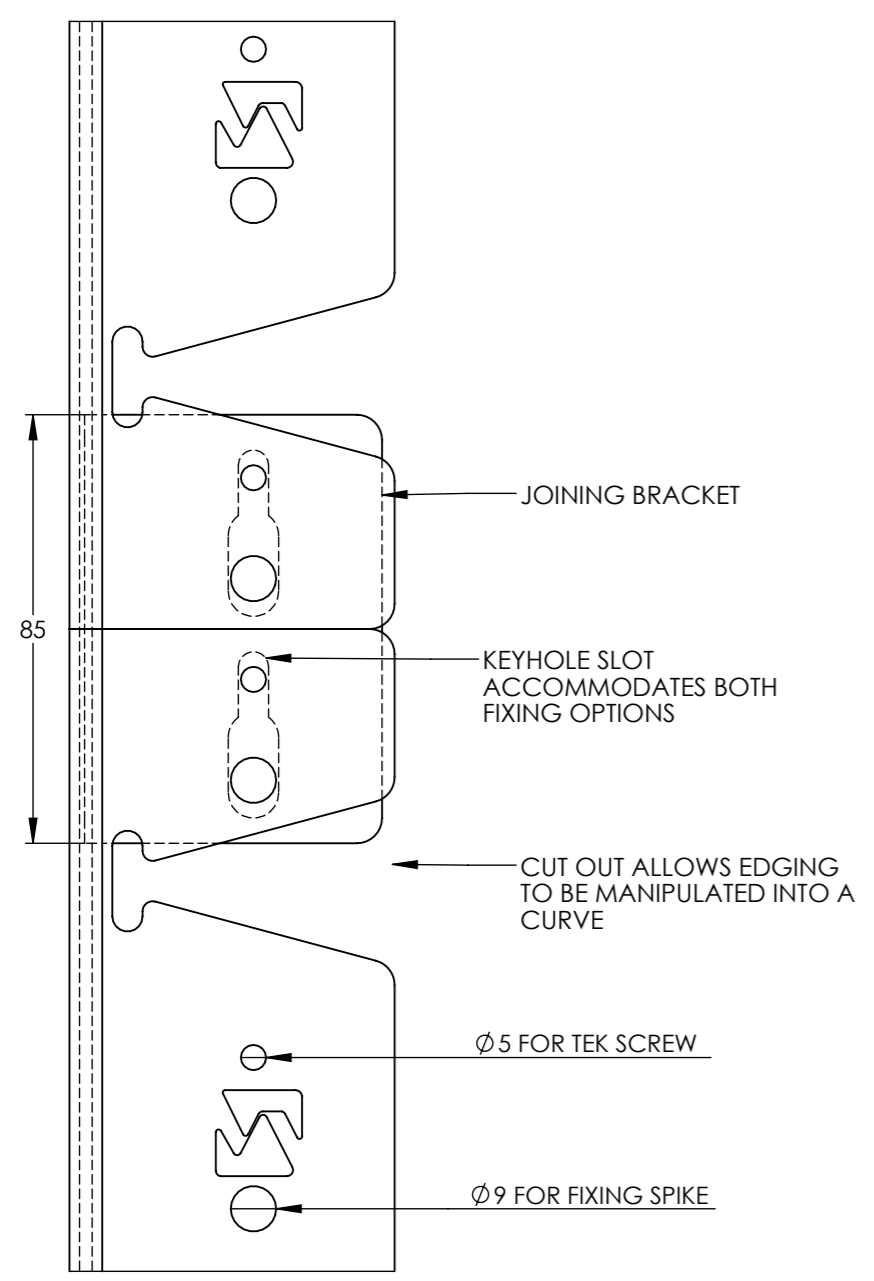
REVISIONS		
REV.	DESCRIPTION	DATE
M1	FOR MANUFACTURE	10/11/2020



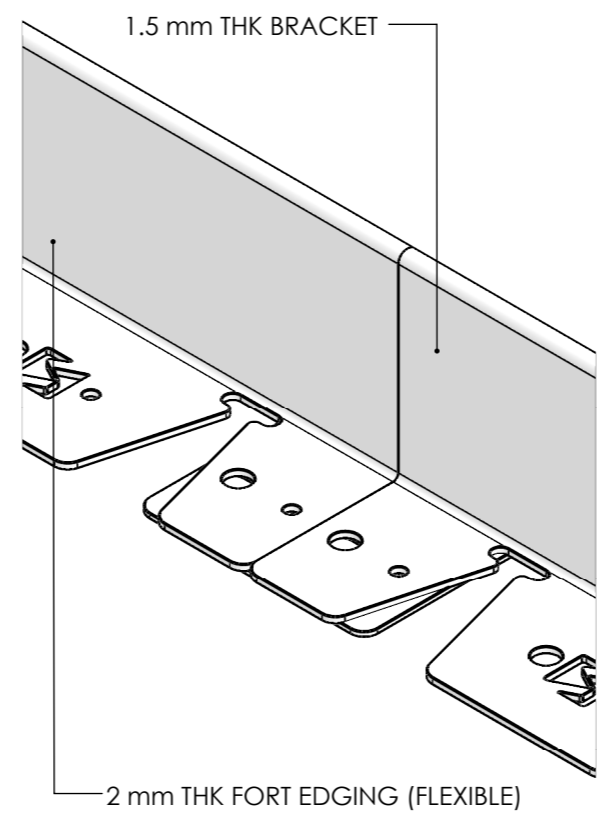
FRONT ELEVATION



**SECTION A-A
SCALE 1 : 1**



PLAN - SCALE 1:1.5



2 mm THK FORT EDGING (FLEXIBLE)

NOTES

- FINISH = VARIOUS**
- KINLEY WORKS TO A 2mm TOLERANCE**

DATE 29/10/2021	SHEET NUMBER 1 OF 1	SCALE 1:7.5
CLIENT KINLEY SYSTEMS	DRAWN BY J.LEE	SHEET SIZE A3
JOB TITLE FORT EDGING 75mm	TOLERANCES ±2mm	

75 mm FORT EDGING ASSEMBLY - FLEXIBLE

JOB NO. N/A	DRAWING NO. 75 FORT FLEXI ASSEMBLY.A	REV. M1
----------------	---	------------

Kinley Head Office
Northpoint
Compass Park,
Staplecross
East Sussex
TN32 5BS
Tel: +44 (0)20 3146 7879
Email: sales@exceleedge.co.uk

